



Features:

- For power repeat of synchronous changing signal;
- Single channel control , the max current to 10 A;
- Accepts PWM control;
- Match with many kinds of LED modules;
- Theoretically we can connect limitless LED modules by connecting the repeaters in series.

Applications:

- Building Decoration: Business spaces, airports, subway;
- Indoor Decoration: Lighting and back lighting for hospital, hotel, marketplace, square, dining-room, pub and etc;
- AD solid Word, sign and mark, signboard and billboard;
- Be used as big area back lighting source.

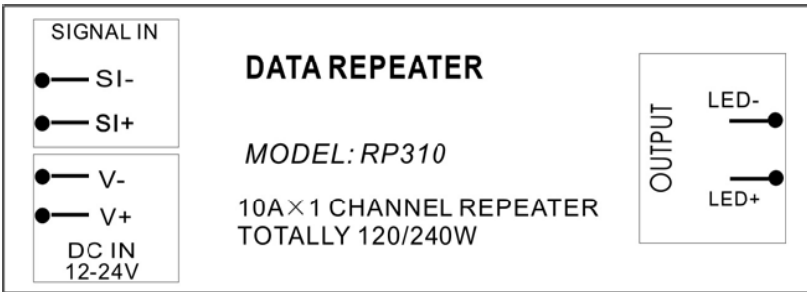
Product Attributes:

POWER SUPPLY	DC 12-24V
I/O CHANNEL	1
Power out	10A Max, 12V, 120W/24V, 240W
Size	165(L)X39(W)X26(H) mm
Weight	260g

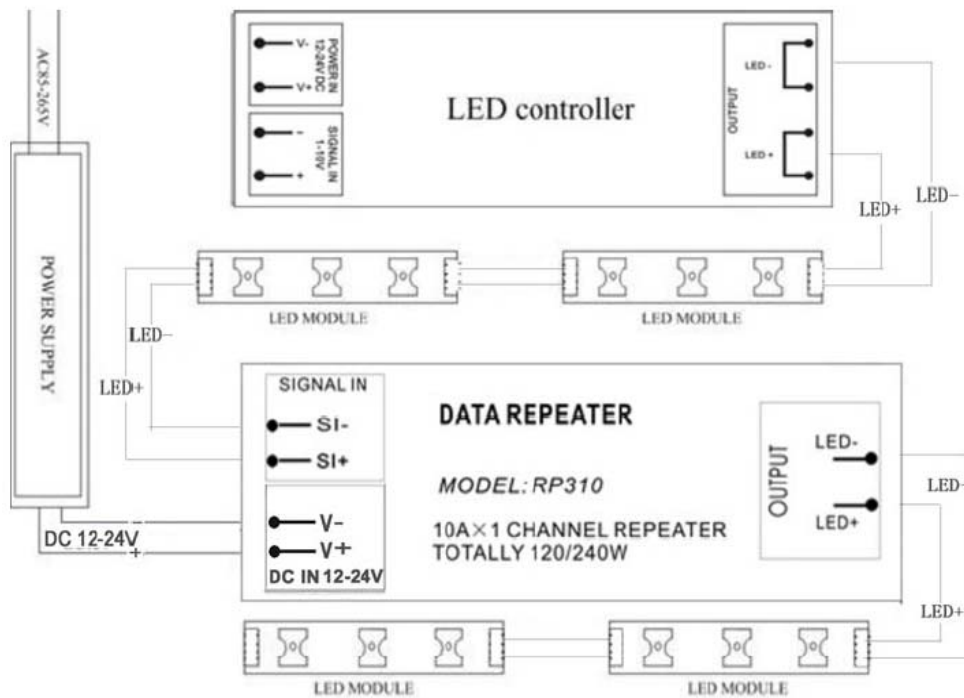
Panel Surface:

1Channel General Power Repeater

RP310



Wire Connections:



Remark:

Can control various single color modules.